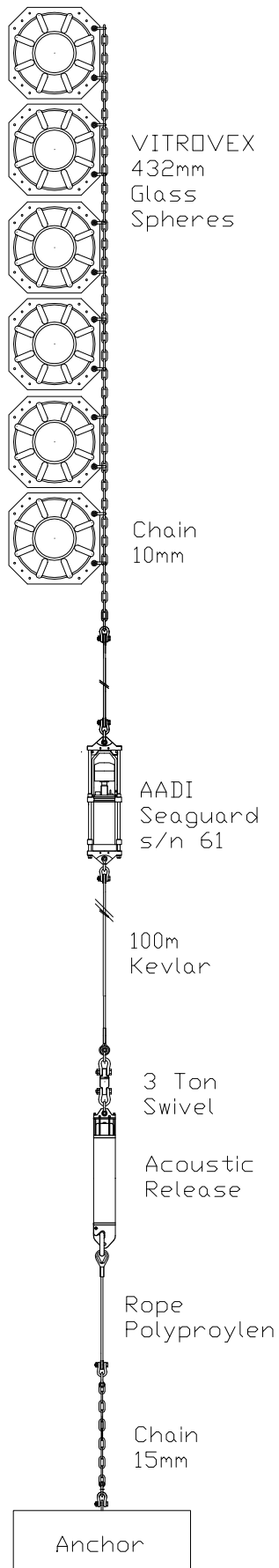


Pemba Mooring

Pos: 13 20.0' S 41 00.0'E

Depth: 1000 m

Start: 28. November 2008
time 12:00 UTC



6	VITROVEX 432mm Glass Spheres, Buoyancy 260 N
12	Shackle Red pin 1,5 t
5m	Chain 10mm steel galvanic
4m	11mm Kevlar Line
1	AADI Seaguard
100m	11mm Kevlar Line
1	3 Ton Swivel
1	Acoustic Release Benthos
4	Shackle Red pin 3.25 t
1	S10 Frekhaug stainless steel, ring for release
1	Kause 18mm steel galvanic
1	Kause 18mm stainless steel ,
4m	Rope Polypropylen 18mm 6m
8	Shackle Red pin 2 t
2m	Chain 15mm steel galvanic
1	Anchor 350kg wet weight